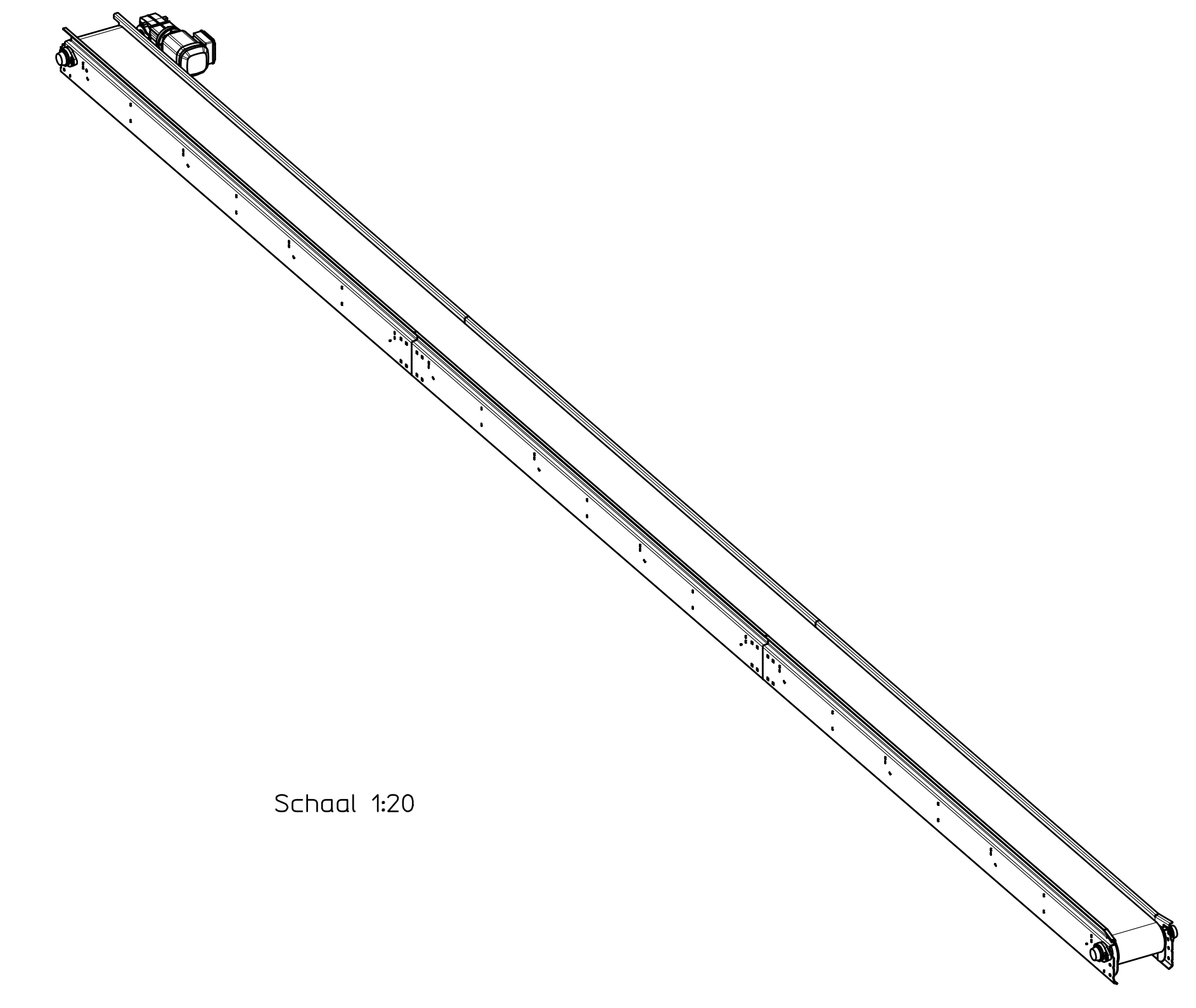
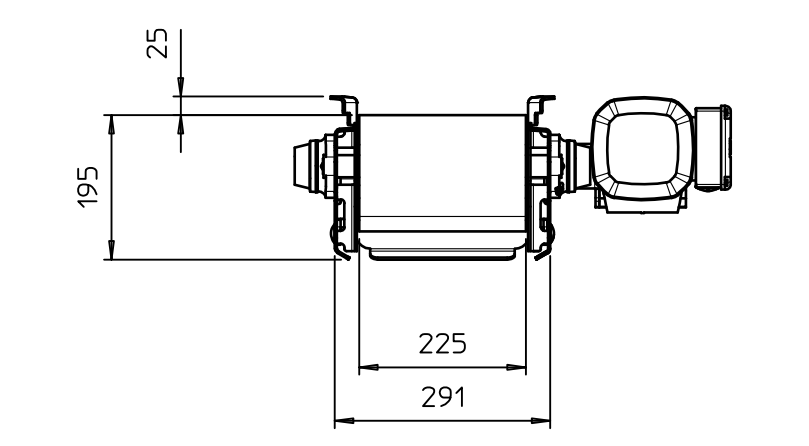
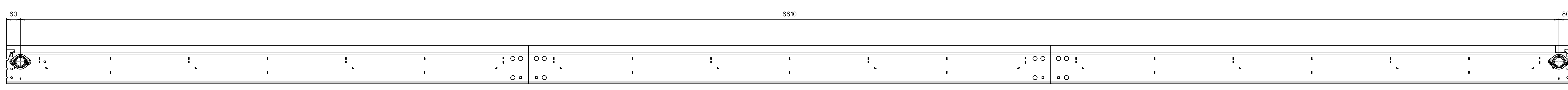
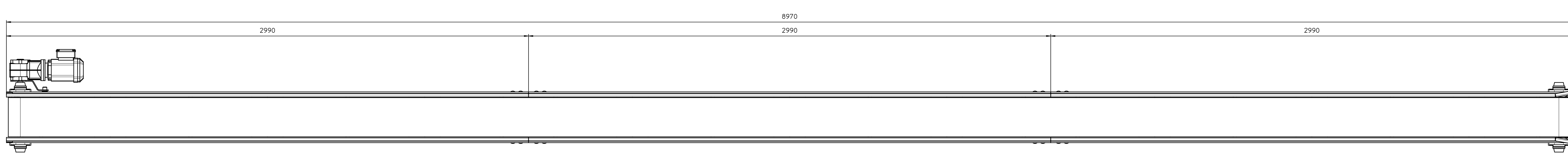



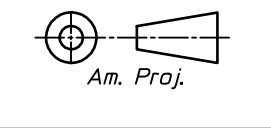
Maat/afmetingen tenzij anders gespecificeerd
 Tolerances on dimension unless specified
 Tot en met/ Until 2000 mm. ±0.5 mm.
 Boven/ Above 2000 mm. ±1 mm.

Hoek/afmetingen tenzij anders gespecificeerd
 Tolerances on angles unless specified
 ±0.5 °



Schaal 1:20



Mijz./Corr.		Datum/Date:		
 All rights are reserved. Reproduction in whole or in part is prohibited without the written consent of the copyright owner.	Schaal/Scale: 1:10	Maatv./Dimens. /MM	 A4, P10	
	Datum/Date:	Formaat/Size:		
	Get./Drawn:	Betekening/Name:	195-rv	Version: <input type="checkbox"/>