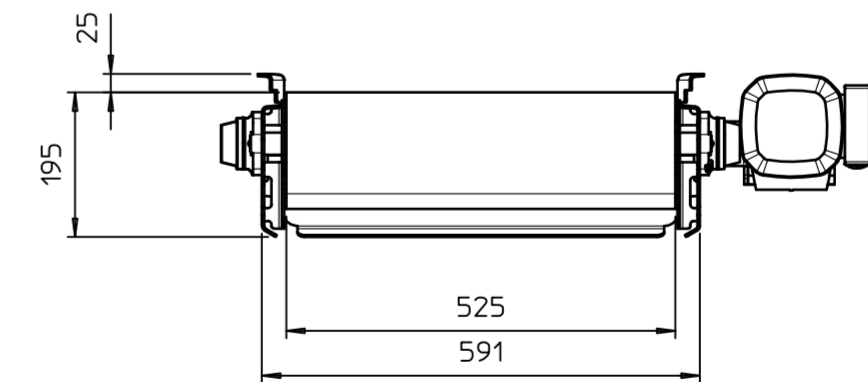
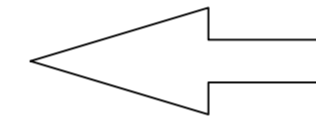
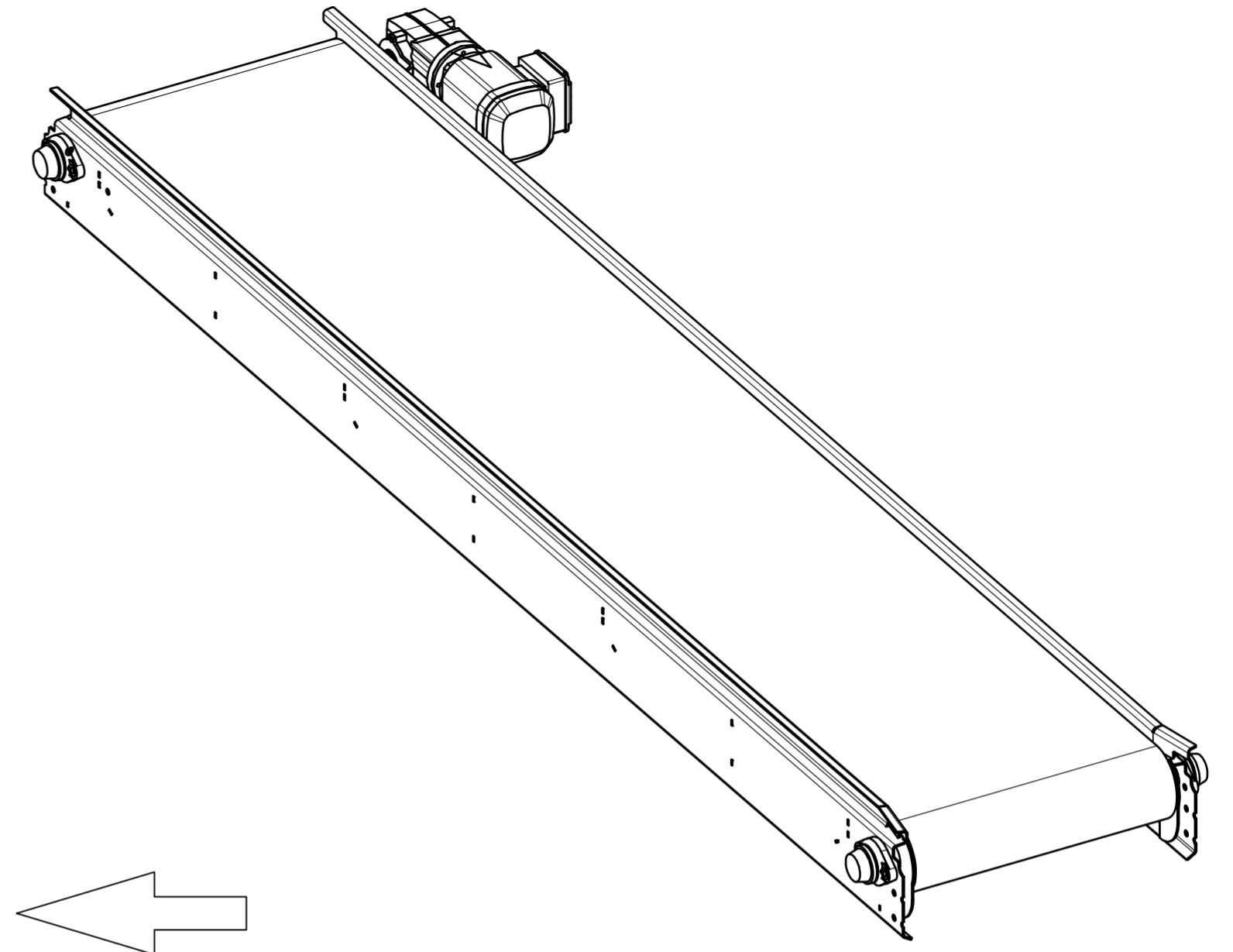
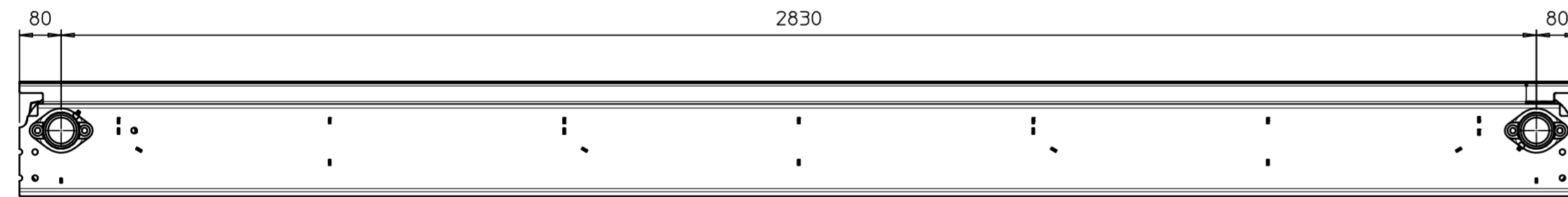
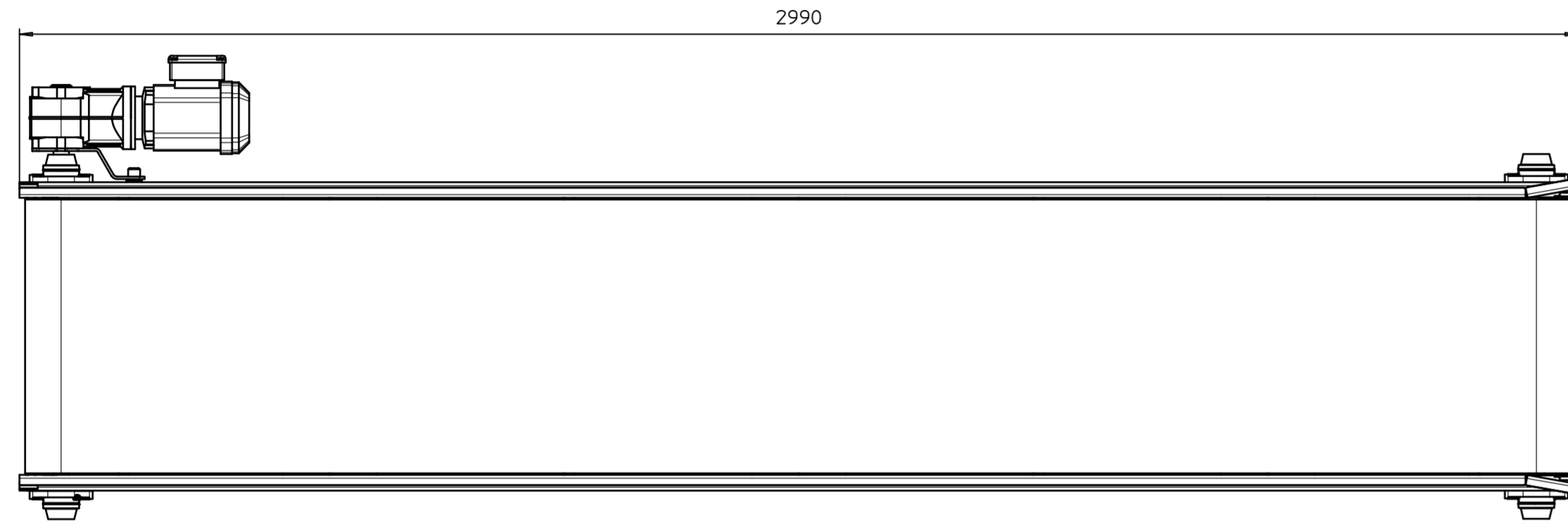

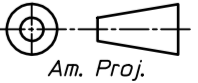


Maattoleranties tenzij anders gespecificeerd:
Tolerances on dimension unless specified:
Tot en met/ Until 2000 mm. ±0.5 mm.
Boven/ Above 2000 mm. ±1 mm.

Hoektoleranties tenzij anders gespecificeerd:
Tolerances on angles unless specified:
±0.5 °



Versie/ Version		Datum/Date:	
Wijz./Corr.		Maatv./Dimens. <i>MM</i>	
 All rights are reserved. Reproduction in whole or in part is prohibited without the written consent of the copyright owner.	Schaal/Scale: 1:10	 Am. Proj.	
	Datum/Date:		Formaat: Size:
	Get./Drawn:	Benaming/Name:	