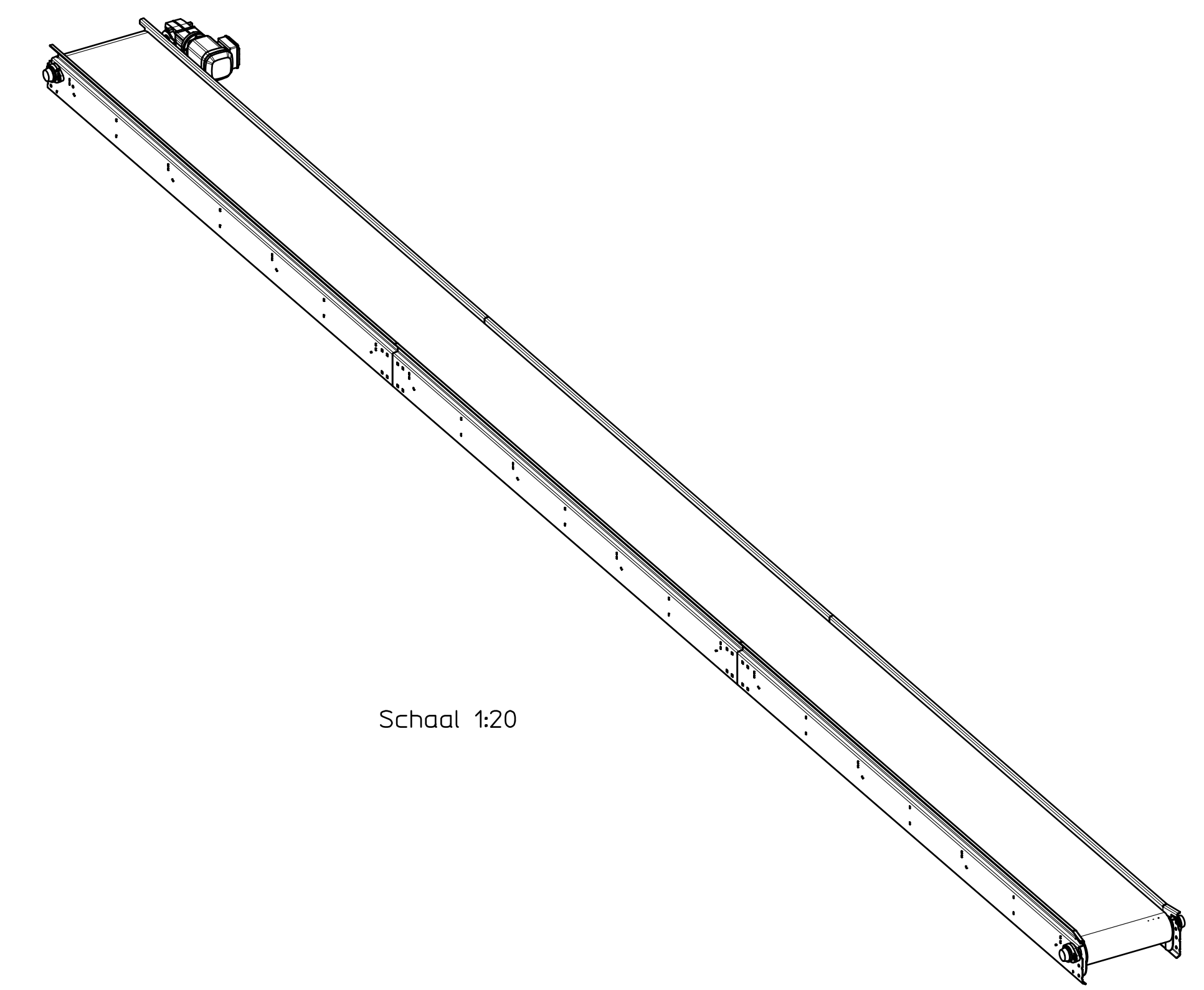
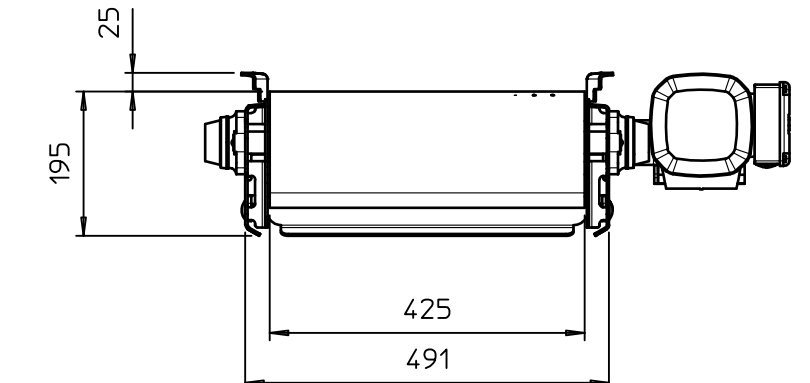
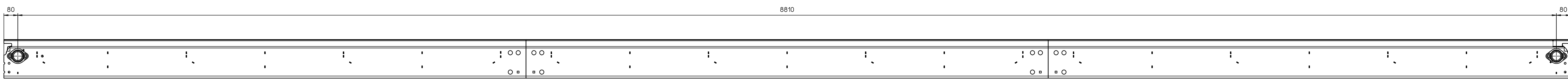
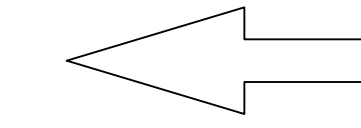
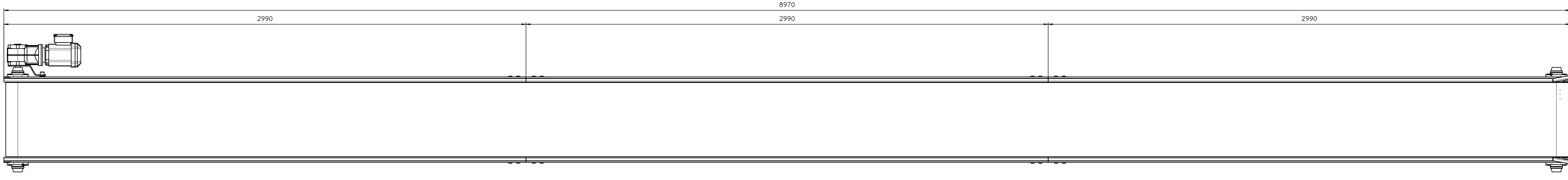



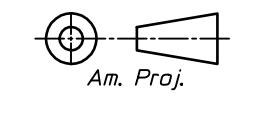
Maat/afmetingen tenzij anders gespecificeerd
 Tolerances on dimension unless specified
 Tot en met/ Until 2000 mm ±0.5 mm.
 Boven/ Above 2000 mm ±1 mm.

Hoek/afmetingen tenzij anders gespecificeerd
 Tolerances on angles unless specified
 ±0.5 °



Schaal 1:20



Mijz/Corr.		Datum/Date:			
 All rights are reserved. Reproduction in whole or in part is prohibited without the written consent of the copyright owner.	Schaal/Scale: 1:10	Maatv./Dimens. <i>MM</i>	 AN: P10j Versie: <input type="checkbox"/>		
	Datum/Date:	Formaat/Size:			
	Get./Drawn:				
	Betekening/Name:				
		MJK-ry		Version: <input type="checkbox"/>	