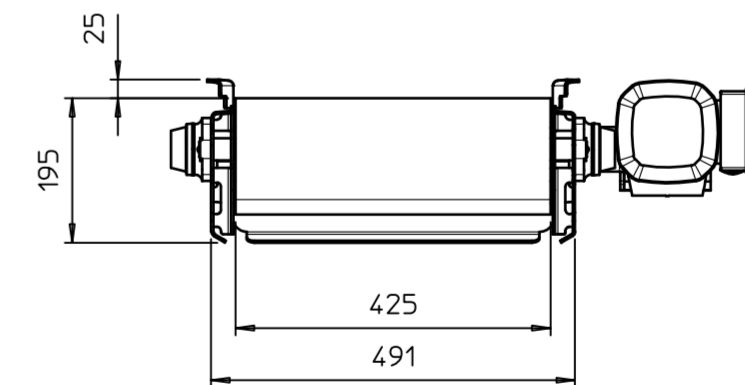
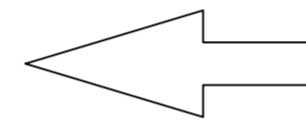
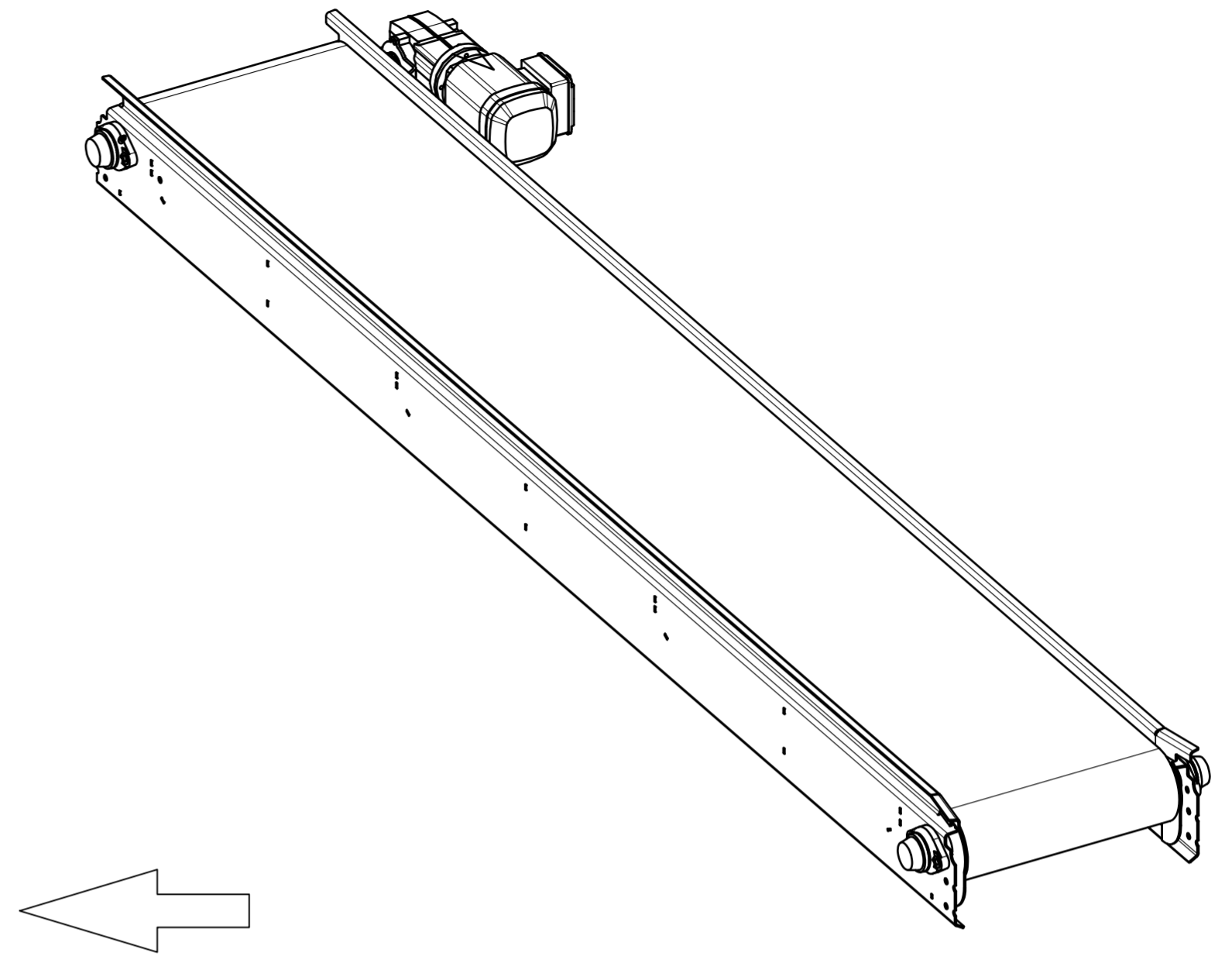
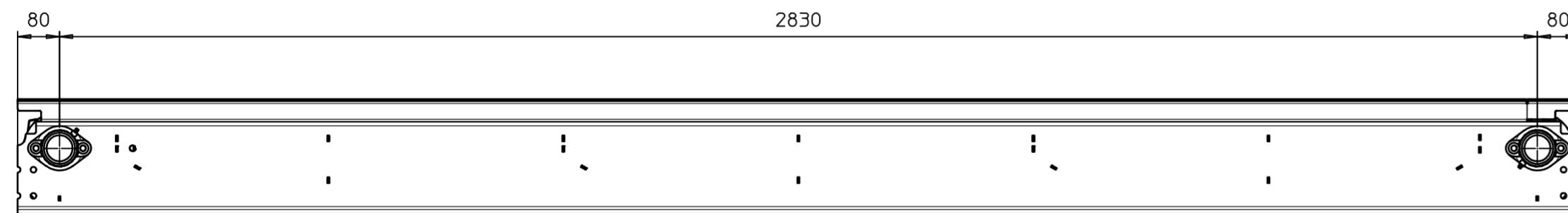
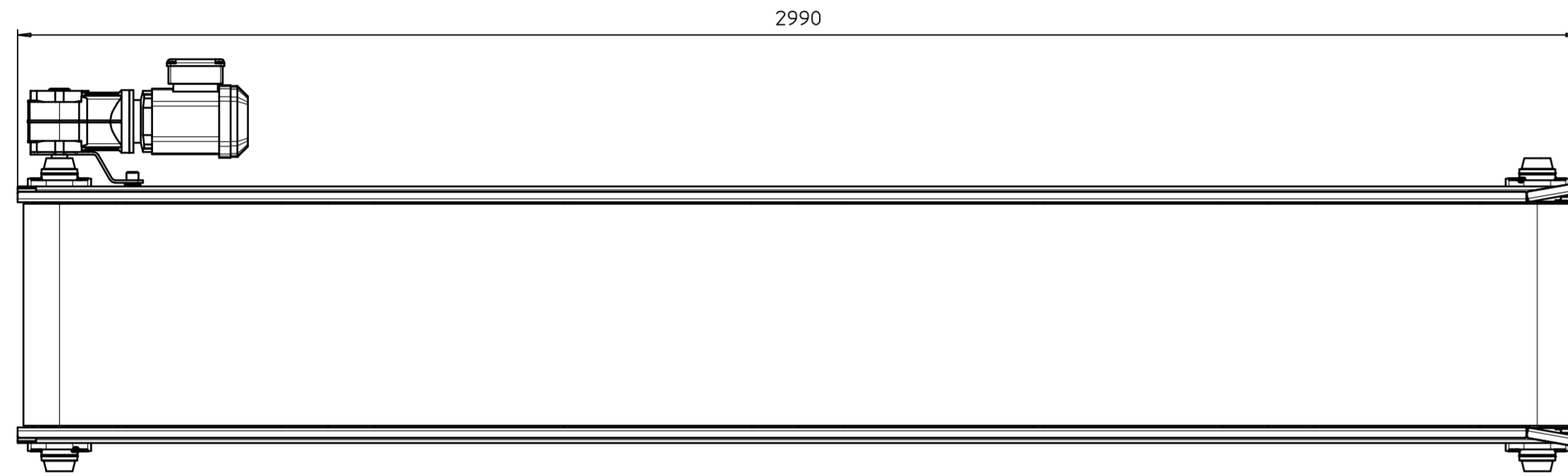

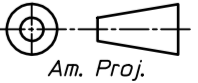


Maattoleranties tenzij anders gespecificeerd:  
Tolerances on dimension unless specified:  
Tot en met/ Until 2000 mm. ±0.5 mm.  
Boven/ Above 2000 mm. ±1 mm.

Hoektoleranties tenzij anders gespecificeerd:  
Tolerances on angles unless specified:  
±0.5 °



|  |                    |                          |  |
|--|--------------------|--------------------------|--|
| Wijz./Corr.  |                    | Datum/Date:              |  |
| <br>All rights are reserved.<br>Reproduction in whole or<br>in part is prohibited without<br>the written consent of the<br>copyright owner. | Schaal/Scale: 1:10 | Maatv./Dimens. <i>MM</i> | <br>Am. Proj. |
|  | Datum/Date:        | Formaat:<br>Size:        |  |
|  | Get./Drawn:        | Benaming/Name:           |  |