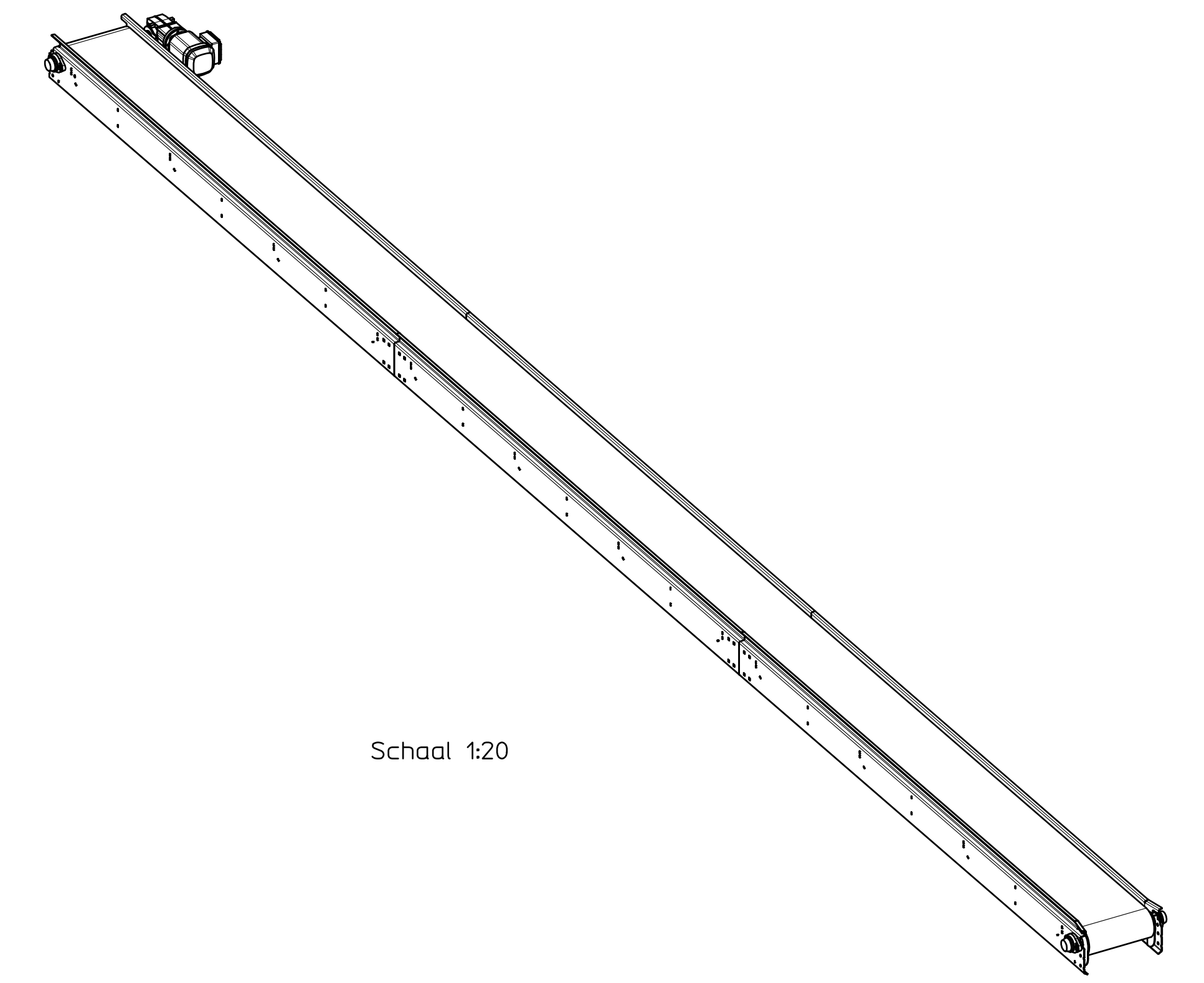
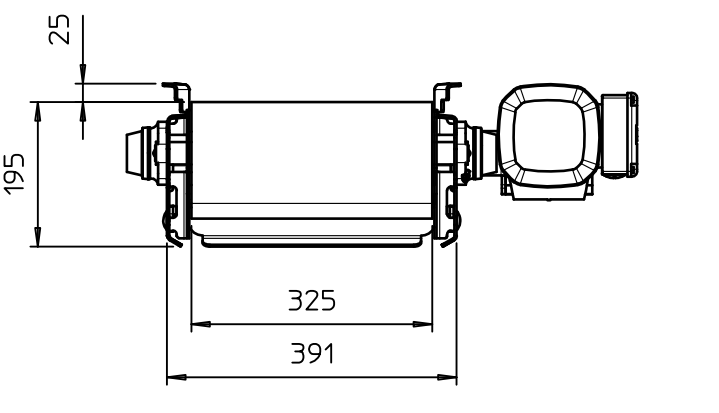
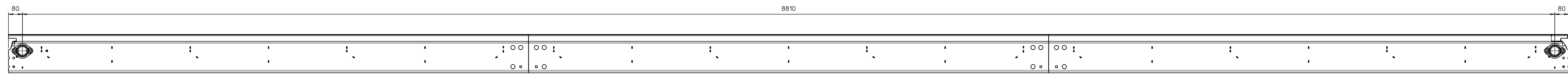
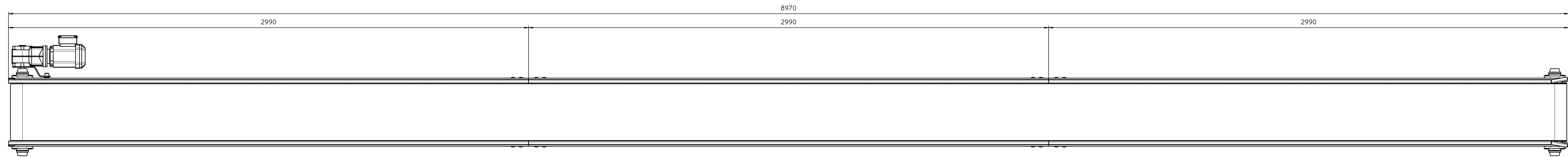


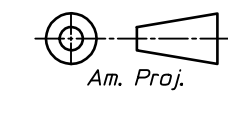

Maat/oleranties tenzij anders gespecificeerd
 Tolerances on dimension unless specified
 Tot en met/ Until 2000 mm ±0.5 mm
 Boven/ Above 2000 mm ±1 mm

Hoekeoleranties tenzij anders gespecificeerd
 Tolerances on angles unless specified
 ±0.5 °



Schaal 1:20



Mijz/Corr.		Datum/Date:		 AR, P10
 All rights are reserved. Reproduction in whole or in part is prohibited without the written consent of the copyright owner.	Schaal/Scale: 1:10	Maatv./Dimens. <i>MM</i>		
	Datum/Date:	Formaat/Size:		
	Get./Drawn:	Benoeming/Name:		
		MJK-ry		Version: <input type="checkbox"/>