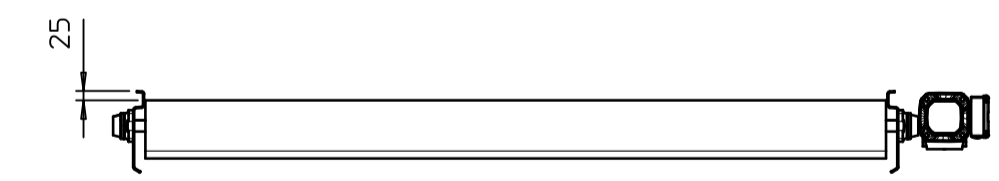
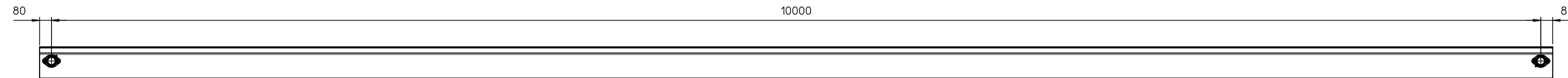
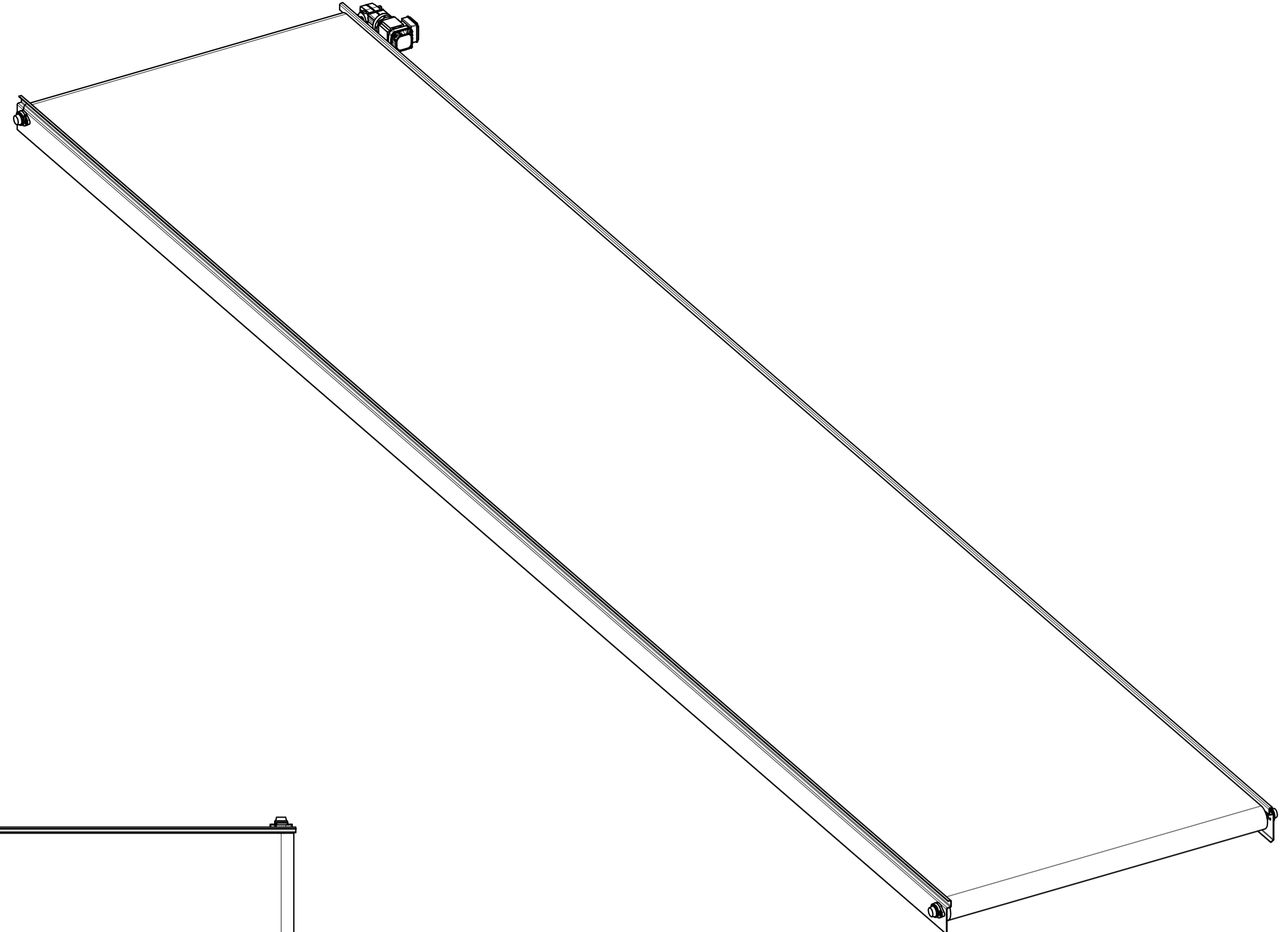
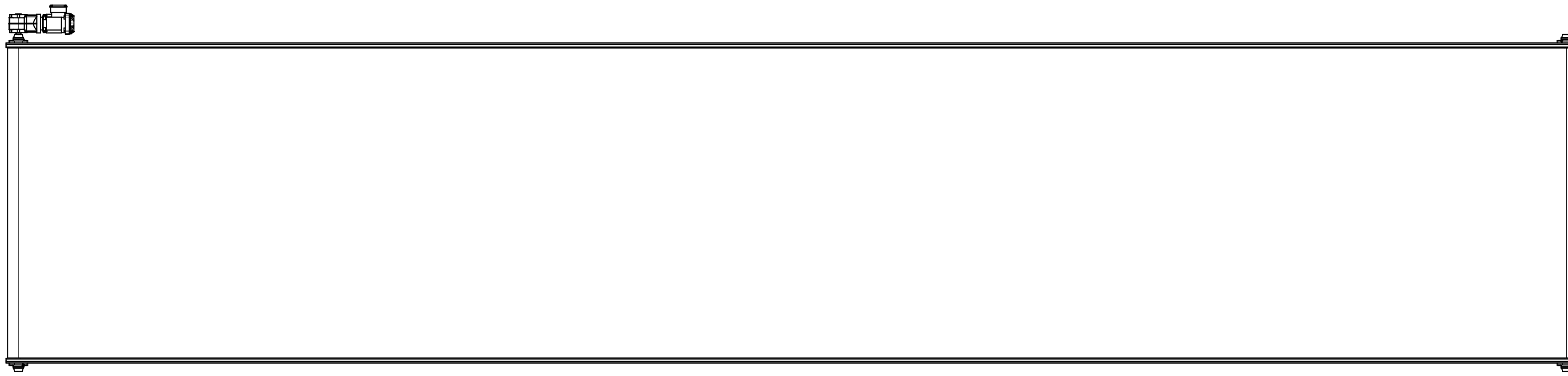

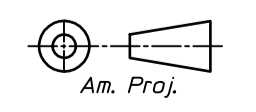


Maattoleranties tenzij anders gespecificeerd:  
Tolerances on dimension unless specified:  
Tot en met/ Until 2000 mm. ±0.5 mm.  
Boven/ Above 2000 mm. ±1 mm.

Hoektoleranties tenzij anders gespecificeerd:  
Tolerances on angles unless specified:  
±0.5 °



Wijz./Corr.		Datum/Date:	
 <small>All rights are reserved. Reproduction in whole or in part is prohibited without the written consent of the copyright owner.</small>	Schaal/Scale: 1:20	Maatv./Dimens. <i>MM</i>	 <small>Am. Proj.</small>
	Datum/Date: 19-06-2019	Formaat: A1	
	Get./Drawn:	Benaming/Name: MXST 2000 10000	