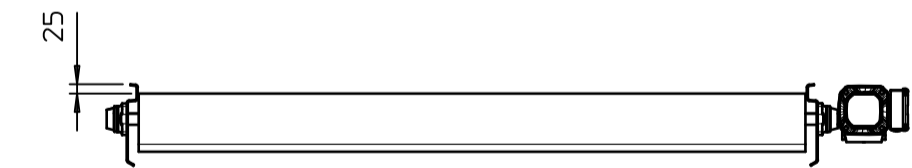
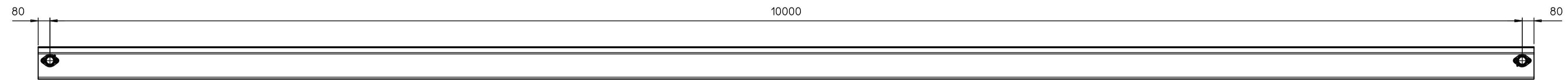
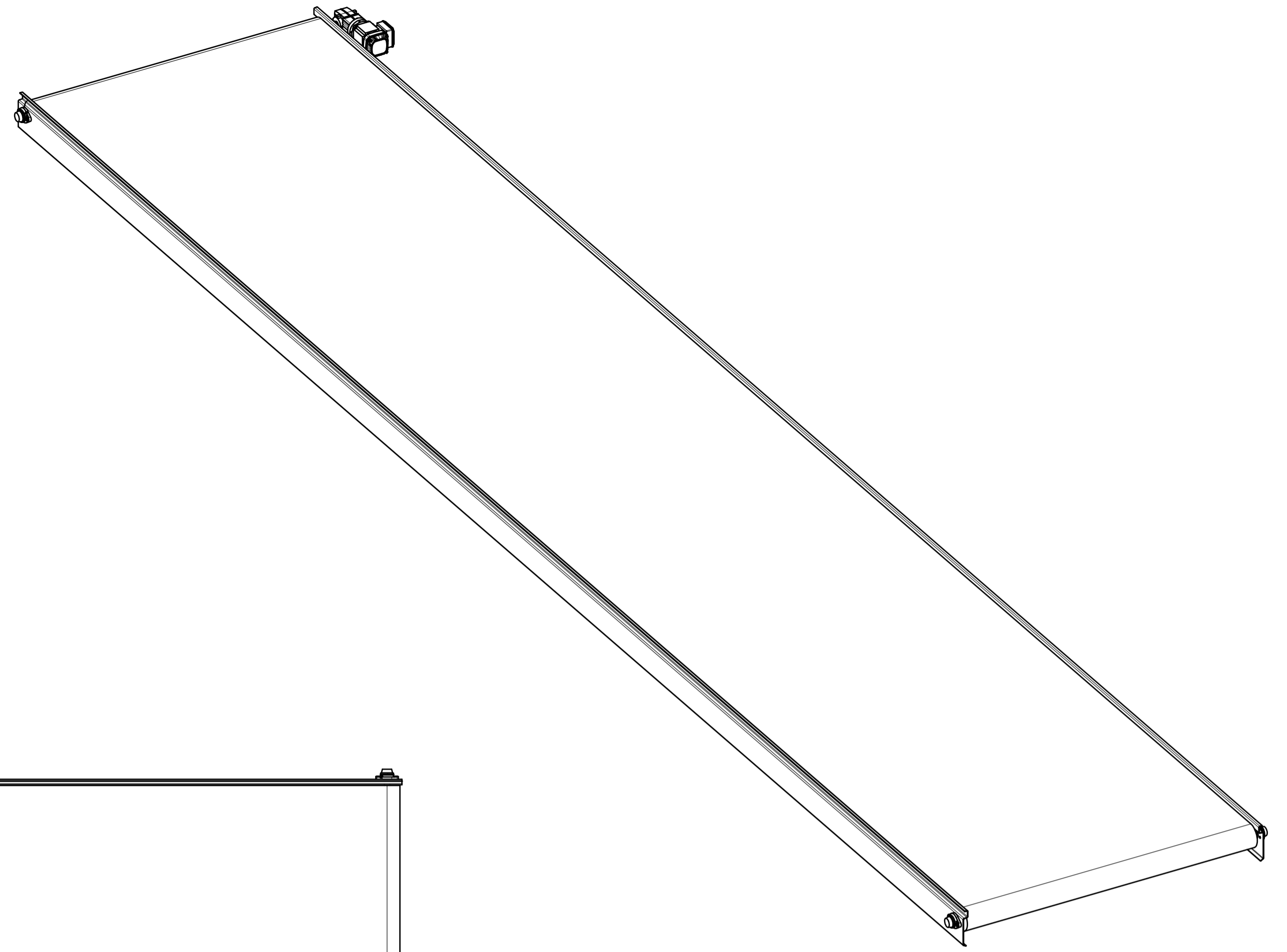
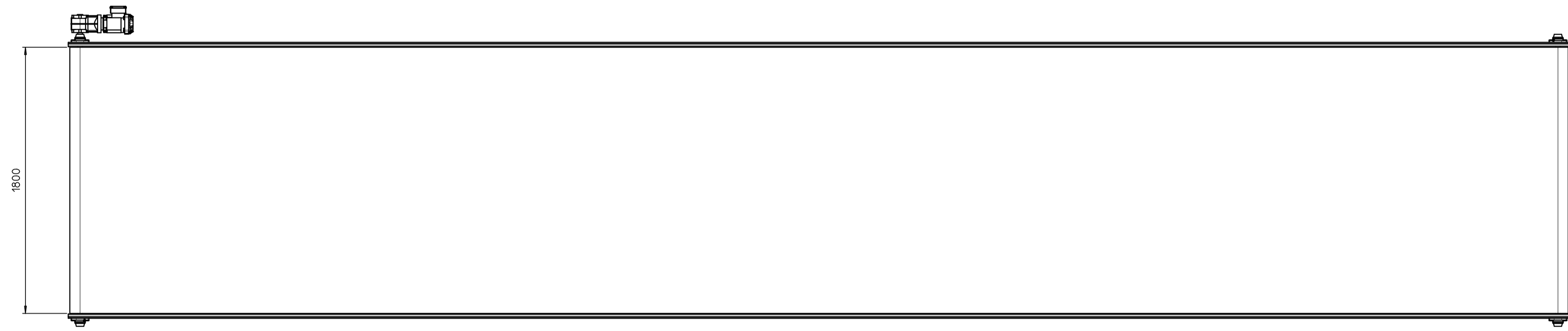

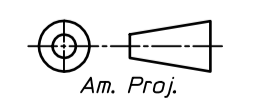


Maattoleranties tenzij anders gespecificeerd:
Tolerances on dimension unless specified:
Tot en met/ Until 2000 mm. ±0.5 mm.
Boven/ Above 2000 mm. ±1 mm.

Hoektoleranties tenzij anders gespecificeerd:
Tolerances on angles unless specified:
±0.5 °



Wijz./Corr.		Datum/Date:	
 All rights are reserved. Reproduction in whole or in part is prohibited without the written consent of the copyright owner.	Schaal/Scale: 1:20	Maatv./Dimens. MM	 Am. Proj.
	Datum/Date: 19-06-2019	Formaat: A1	
	Get./Drawn:	Benaming/Name: MXST 1800 10000	