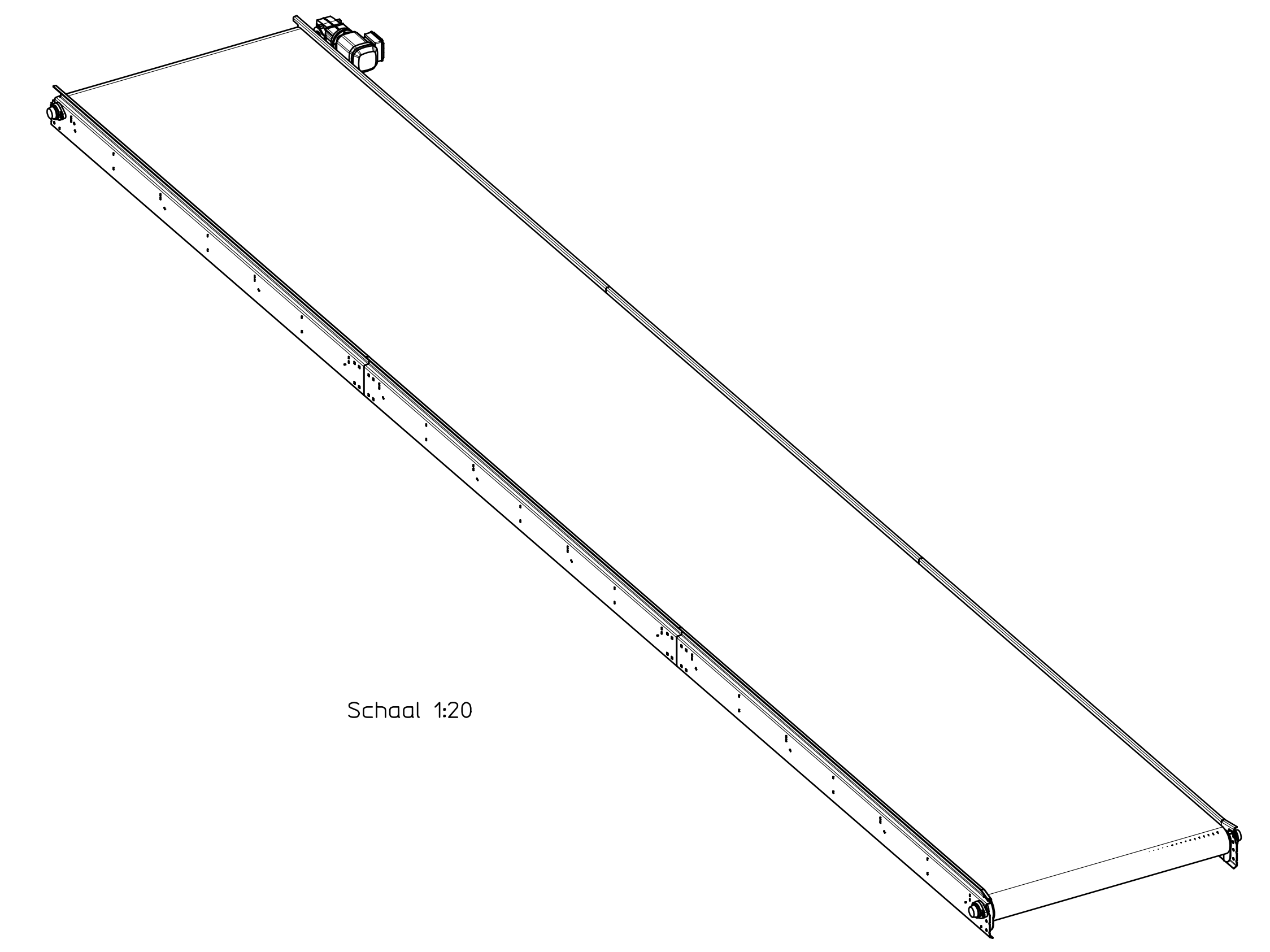
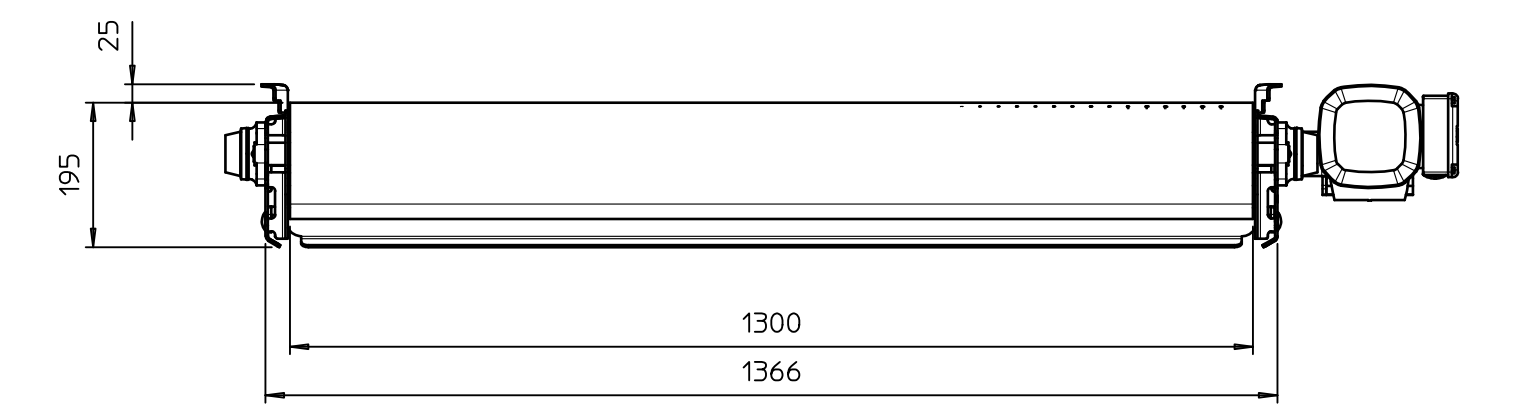
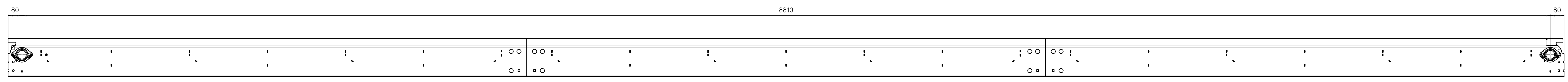
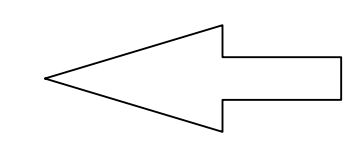
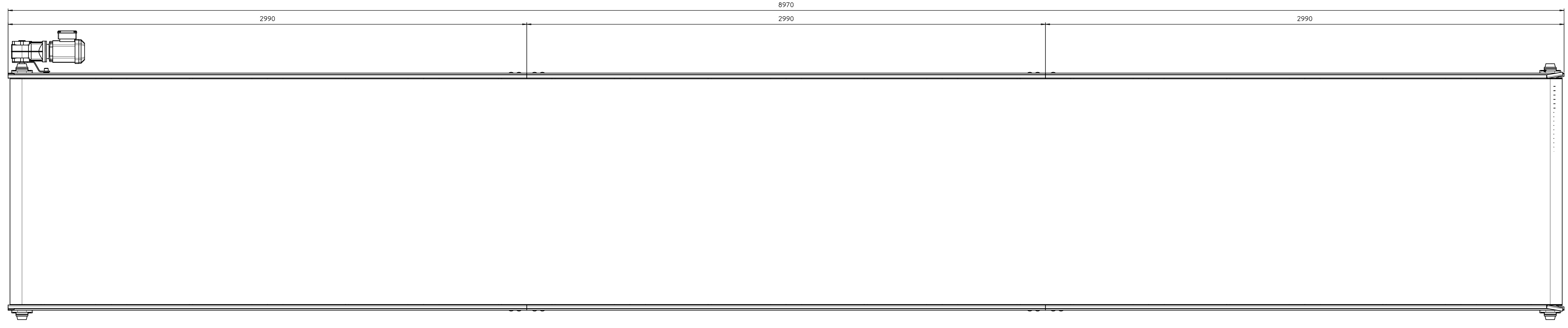



Maattoleranties tenzij anders gespecificeerd
 Tolerances on dimension unless specified
 Tot en met/ Until 2000 mm ±0.5 mm.
 Boven/ Above 2000 mm ±1 mm.

Hoektoleranties tenzij anders gespecificeerd
 Tolerances on angles unless specified
 ±0.5 °



Schaal 1:20



Mijz/Corr.		Datum/Date:	
 All rights are reserved. Reproduction in whole or in part is prohibited without the written consent of the copyright owner.	Schaal/Scale: 1:10	Maatv./Dimens. <i>MM</i>	
	Datum/Date:	Format:	
	Get./Drawn:	Size:	
Benoeming/Name:		Mijz-ryj	
		Version: <input type="checkbox"/>	