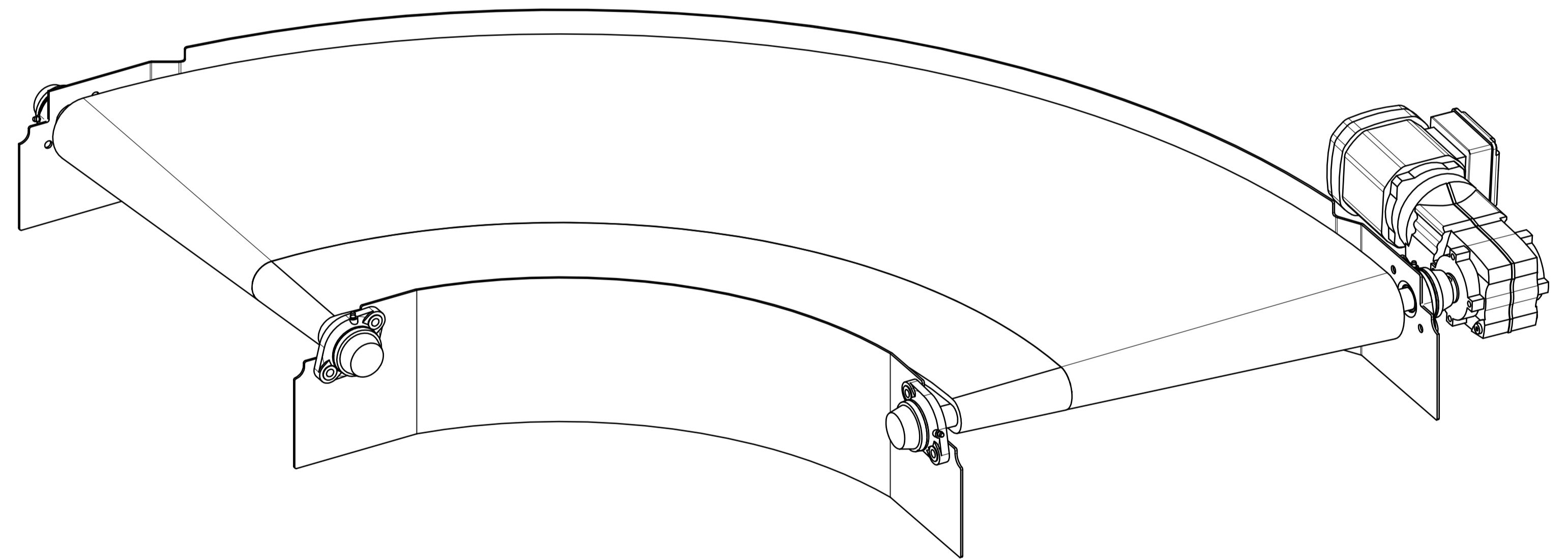
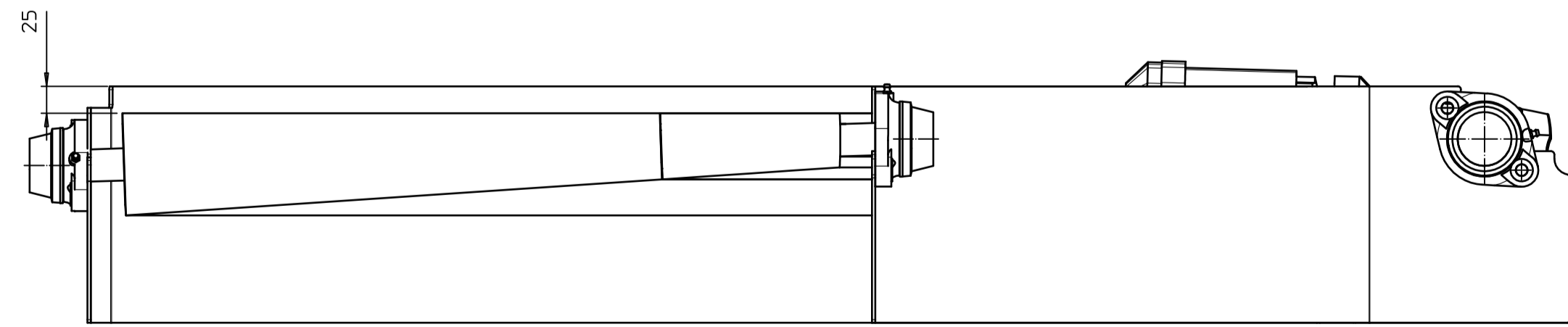
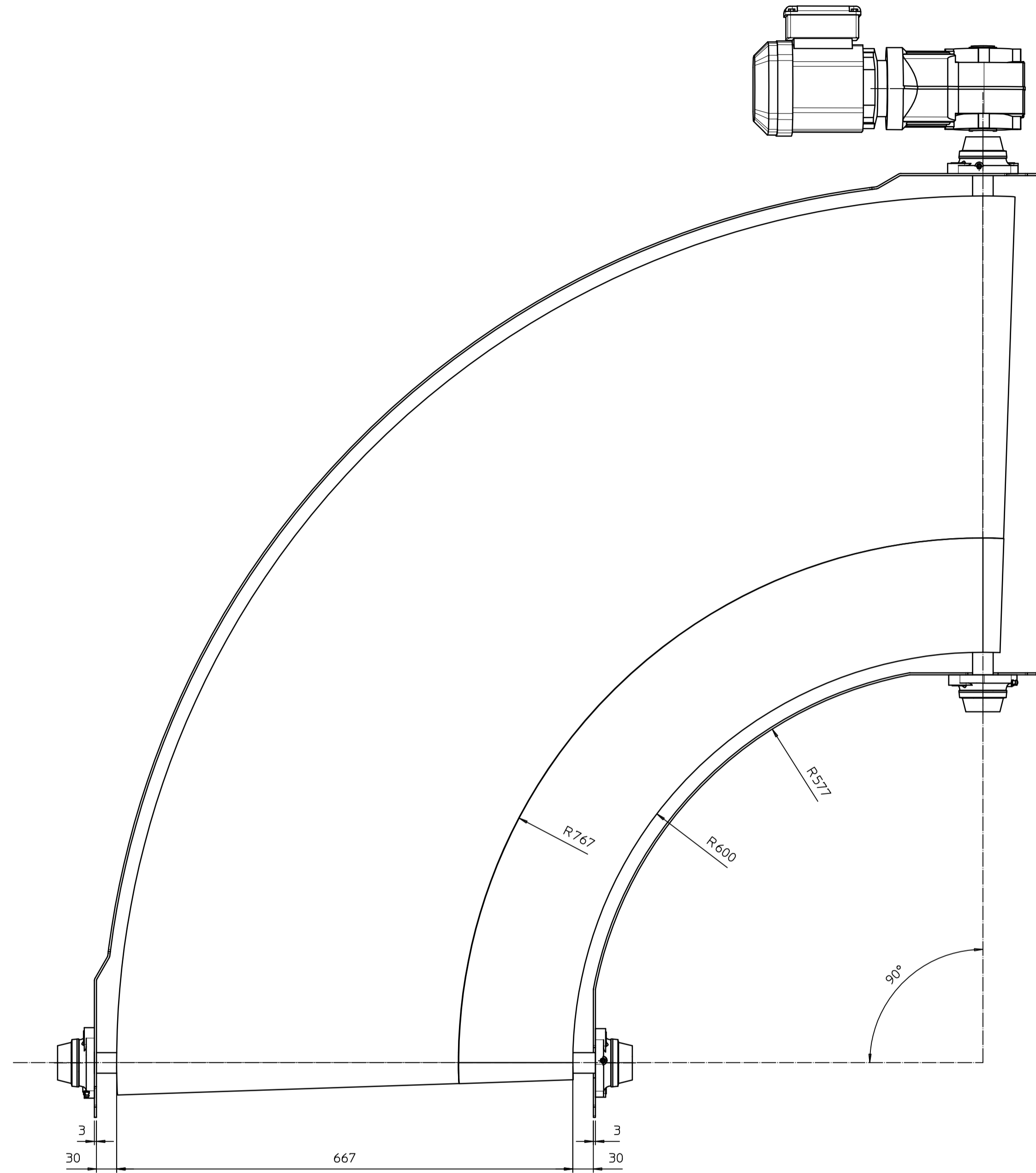

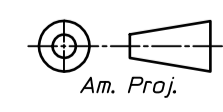


Maattoleranties tenzij anders gespecificeerd:  
Tolerances on dimension unless specified:  
Tot en met/ Until 2000 mm. ±0.5 mm.  
Boven/ Above 2000 mm. ±1 mm.

Hoektoleranties tenzij anders gespecificeerd:  
Tolerances on angles unless specified:  
±0.5 °



Wijz./Corr.		Datum/Date:		
 All rights are reserved. Reproduction in whole or in part is prohibited without the written consent of the copyright owner.	Schaal/Scale: 1:5	Maatv./Dimens. MM	 Am. Proj.	
	Datum/Date: 28-05-2019	Formaat: A1		
	Get./Drawn:	Size:	MM-nr: 10594616	Versie/Version: 01
	Benaming/Name: sam MWCU 670-600-090R			