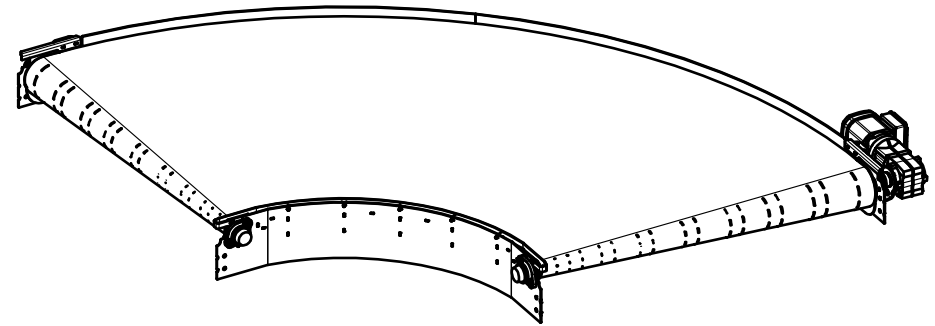
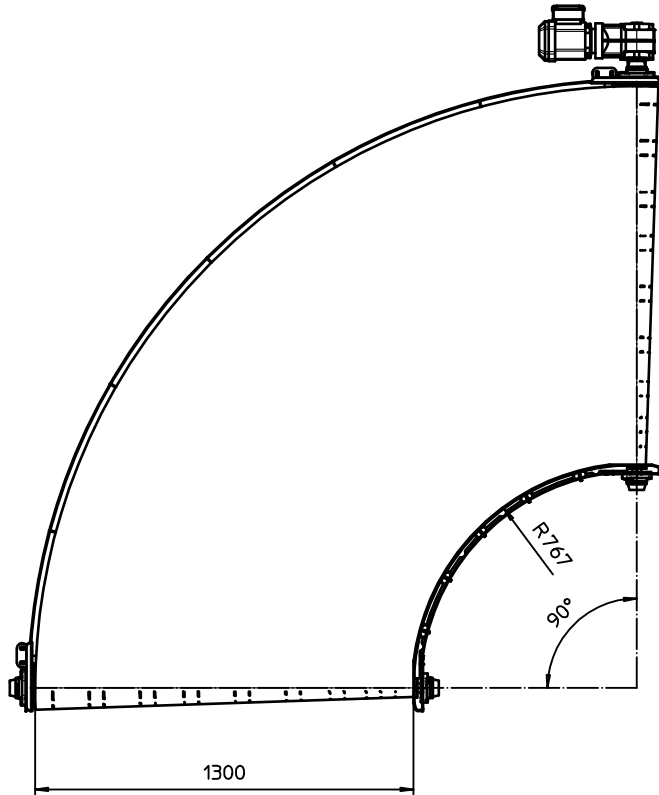

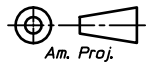


Maattoleranties tenzij anders gespecificeerd:
 Tolerances on dimension unless specified:
 Tot en met/ Until 2000 mm. ±0,5 mm.
 Boven/ Above 2000 mm. ±1 mm.

Hoektoleranties tenzij anders gespecificeerd:
 Tolerances on angles unless specified:
 ±0,5 °



Wijz./Corr.		Datum/Date:	
 All rights are reserved. Reproduction in whole or in part is prohibited without the written consent of the copyright owner.	Schaal/Scale: 1:18	Maatv./Dimens. <i>MM</i>	 Am. Proj.
	Datum/Date:	Formaat: Size:	
	Get./Drawn:	Benaming/Name:	