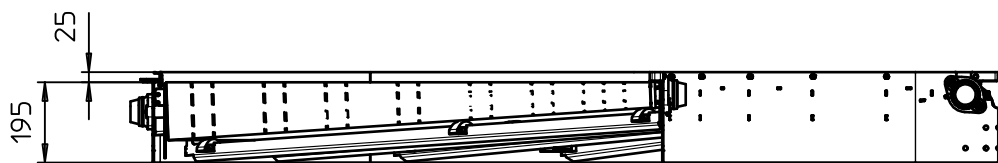
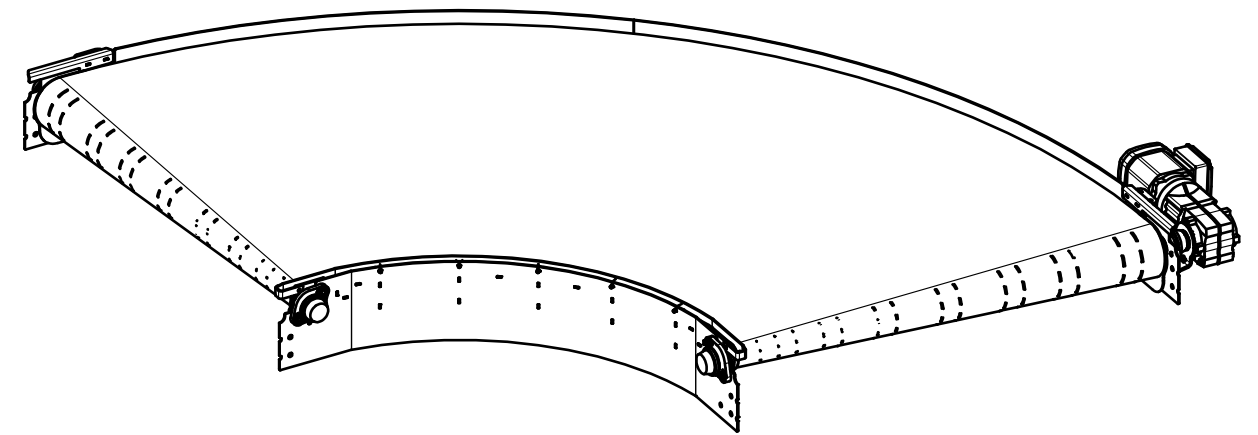
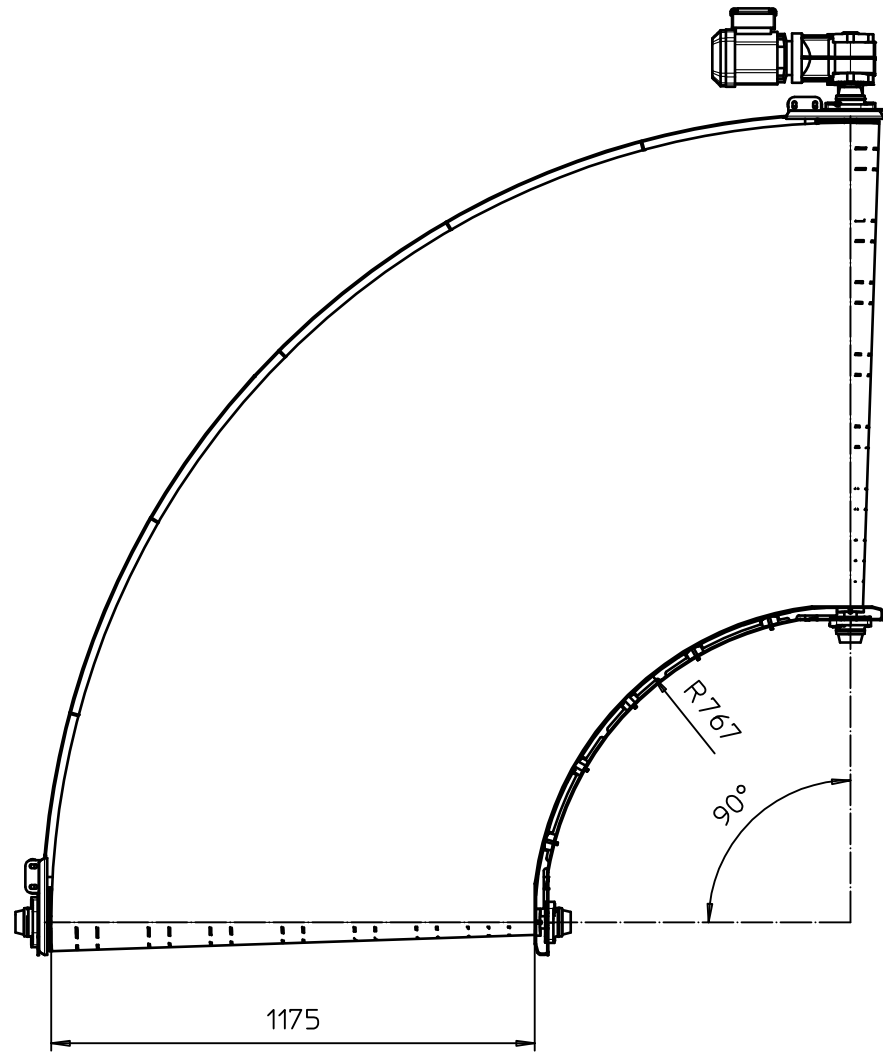
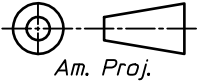



Maattoleranties tenzij anders gespecificeerd:
 Tolerances on dimension unless specified:
 Tot en met/ Until 2000 mm. ±0.5 mm.
 Boven/ Above 2000 mm. ±1 mm.

Hoektoleranties tenzij anders gespecificeerd:
 Tolerances on angles unless specified:
 ±0.5 °



Versie/ Version: <i>Wijz./Corr.</i>		Datum/Date:		 Am. Proj.
 All rights are reserved. Reproduction in whole or in part is prohibited without the written consent of the copyright owner.		Schaal/Scale: 1:18	Maatv./Dimens. <i>MM</i>	
		Datum/Date:	Formaat: Size:	
		Get./Drawn:	Benaming/Name:	MM-nr: <input type="text"/> Versie: <input type="text"/> Version: <input type="text"/>