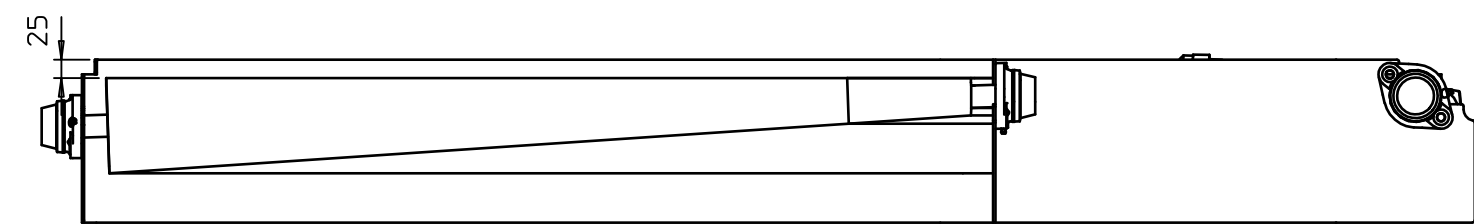
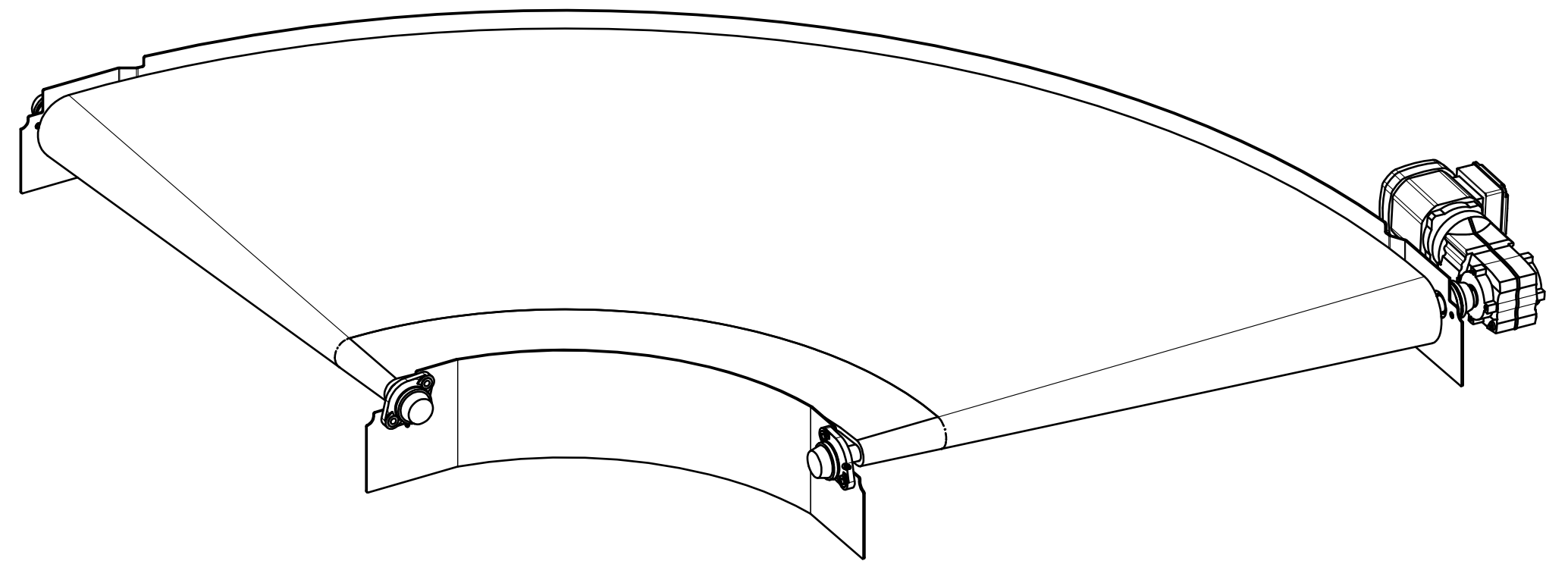
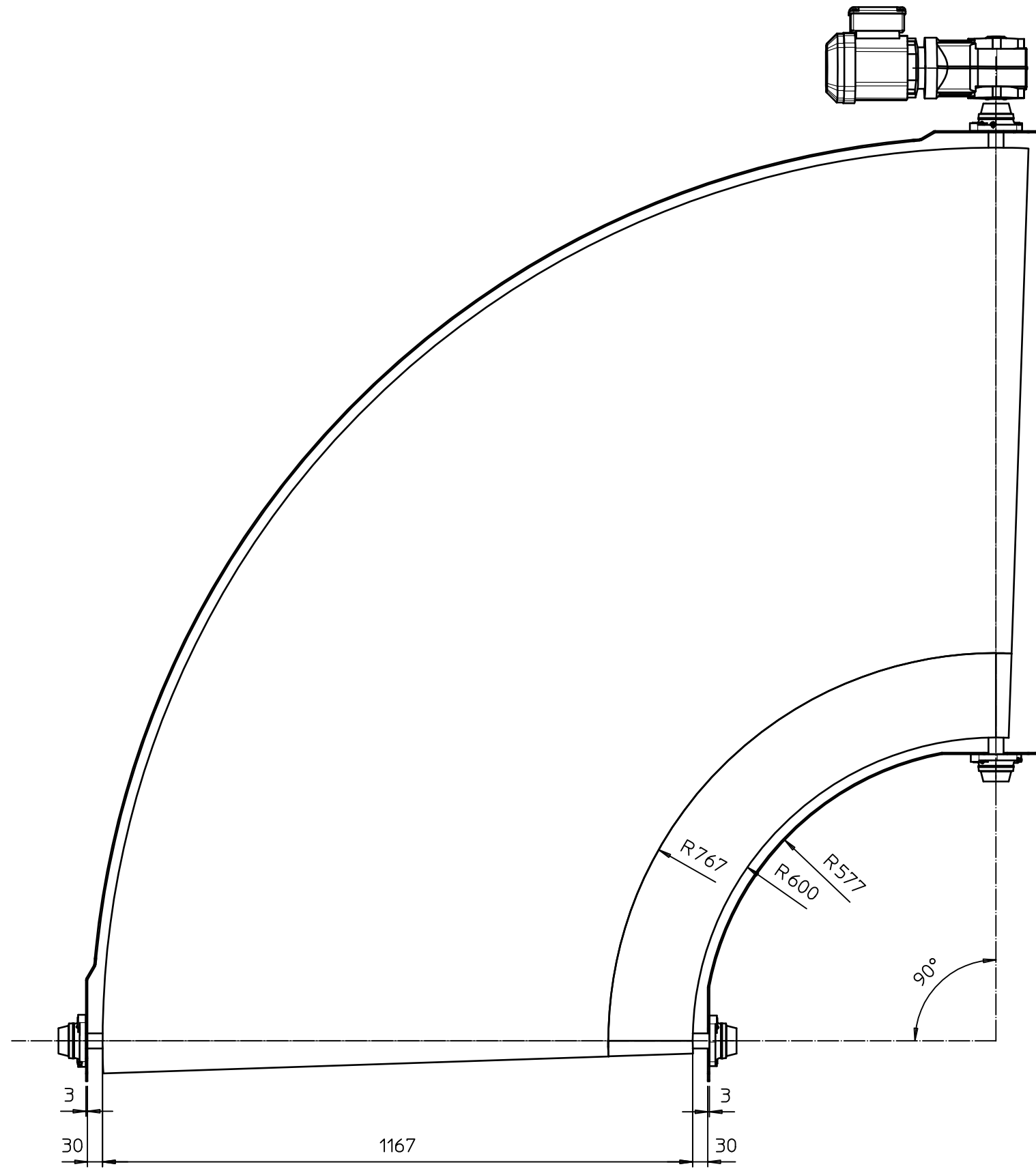

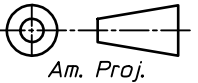


Maattoleranties tenzij anders gespecificeerd:  
 Tolerances on dimension unless specified:  
 Tot en met/ Until 2000 mm. ±0.5 mm.  
 Boven/ Above 2000 mm. ±1 mm.

Hoektoleranties tenzij anders gespecificeerd:  
 Tolerances on angles unless specified:  
 ±0.5 °



|  |                        |  |  |
|--|------------------------|--|--|
| Wijz./Corr.  |                        | Datum/Date:                              |  |
| <br>All rights are reserved.<br>Reproduction in whole or<br>in part is prohibited without<br>the written consent of the<br>copyright owner. | Schaal/Scale: 1:10     | Maatv./Dimens. <i>MM</i>                 | <br>Am. Proj. |
|  | Datum/Date: 29-05-2019 | Formaat:<br>Size: A2                     |  |
|  | Get./Drawn:            | Benaming/Name:<br>sam MWCU 1170-600-090R |  |