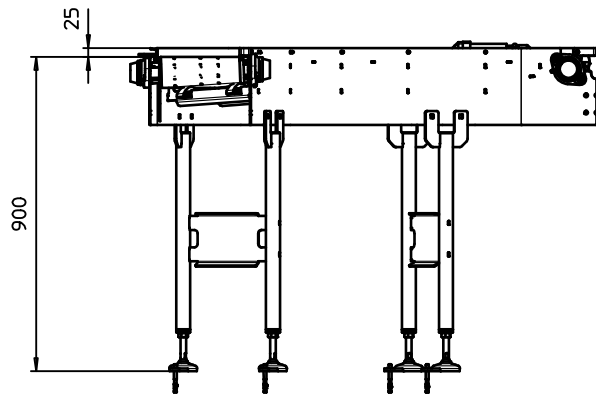
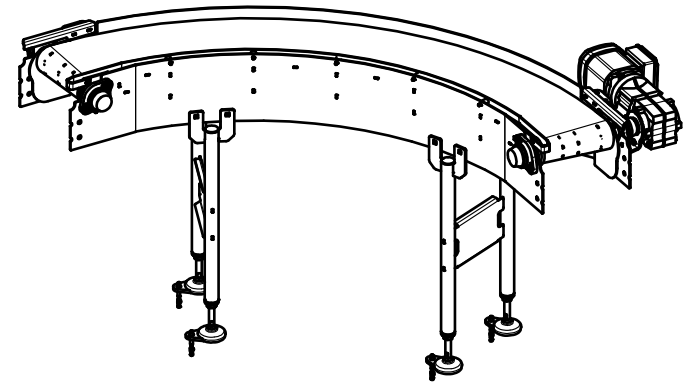
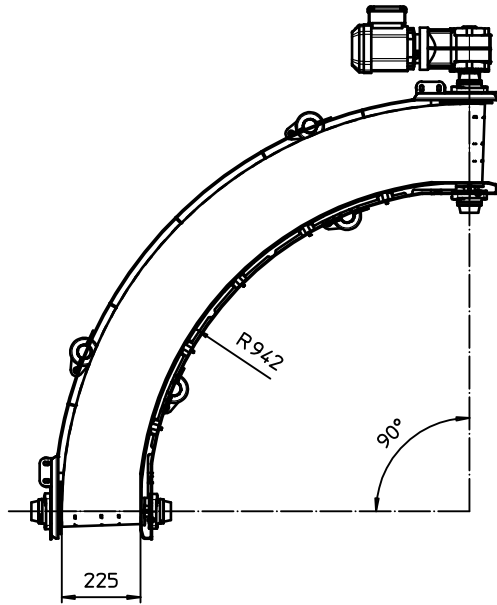

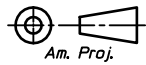


Maattoleranties tenzij anders gespecificeerd:  
 Tolerances on dimension unless specified:  
 Tot en met/ Until 2000 mm. ±0,5 mm.  
 Boven/ Above 2000 mm. ±1 mm.

Hoektoleranties tenzij anders gespecificeerd:  
 Tolerances on angles unless specified:  
 ±0,5 °



|  |  |               |      |  |  |
|--|--|---------------|------|--|--|
| Versie/<br>Version   |  | Wijz./Corr.   |      | Datum/Date:  |  |
| <br>All rights are reserved.<br>Reproduction in whole or<br>in part is prohibited without<br>the written consent of the<br>copyright owner. |  | Schaal/Scale: | 1:15 | Maatv./Dimens.   | MM   |
|  |  | Datum/Date:   |      | Formaat:   |  |
|  |  | Get./Drawn:   |      | Size:  |  |
| Benaming/Name:   |  |               |      | MM-nr:   | Versie:<br>Version: <input type="checkbox"/> |
|  |  |               |      | <br>Am. Proj. |  |