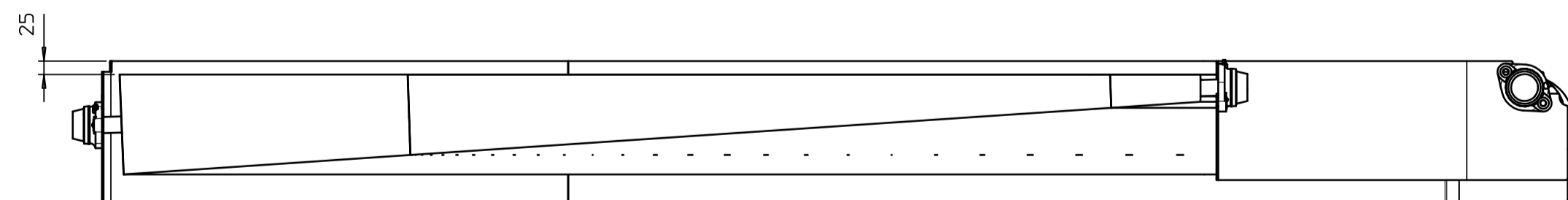
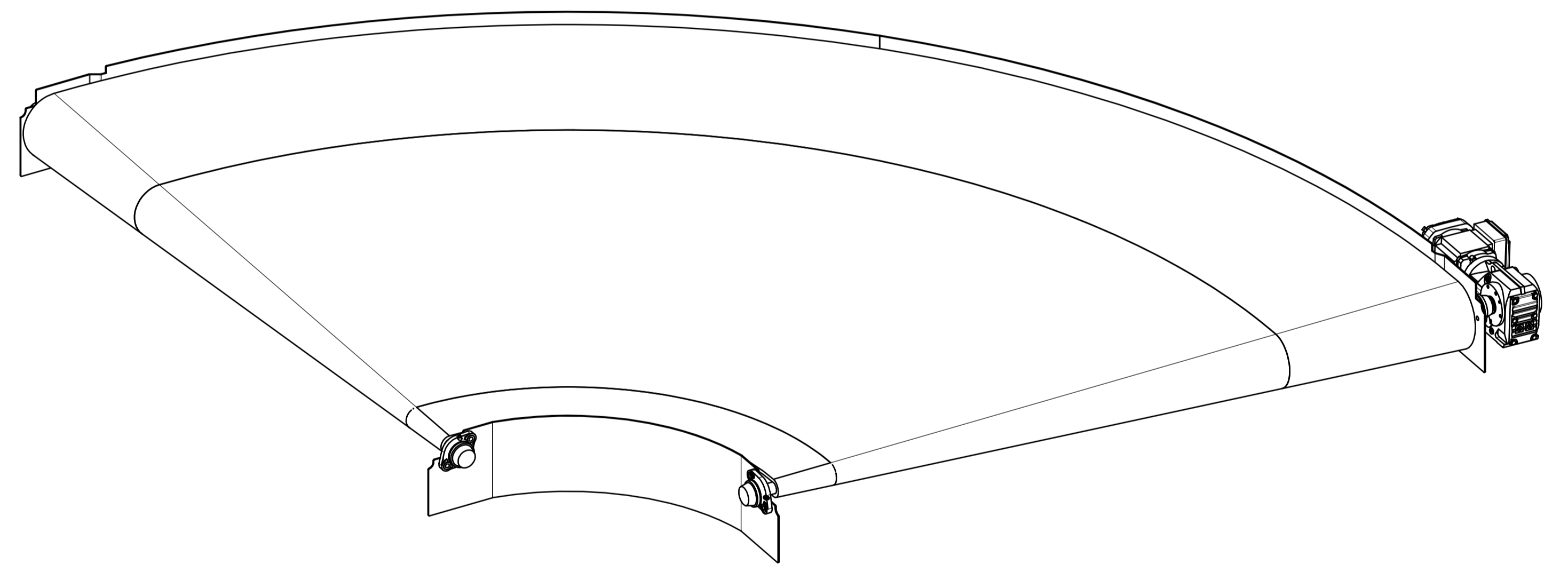
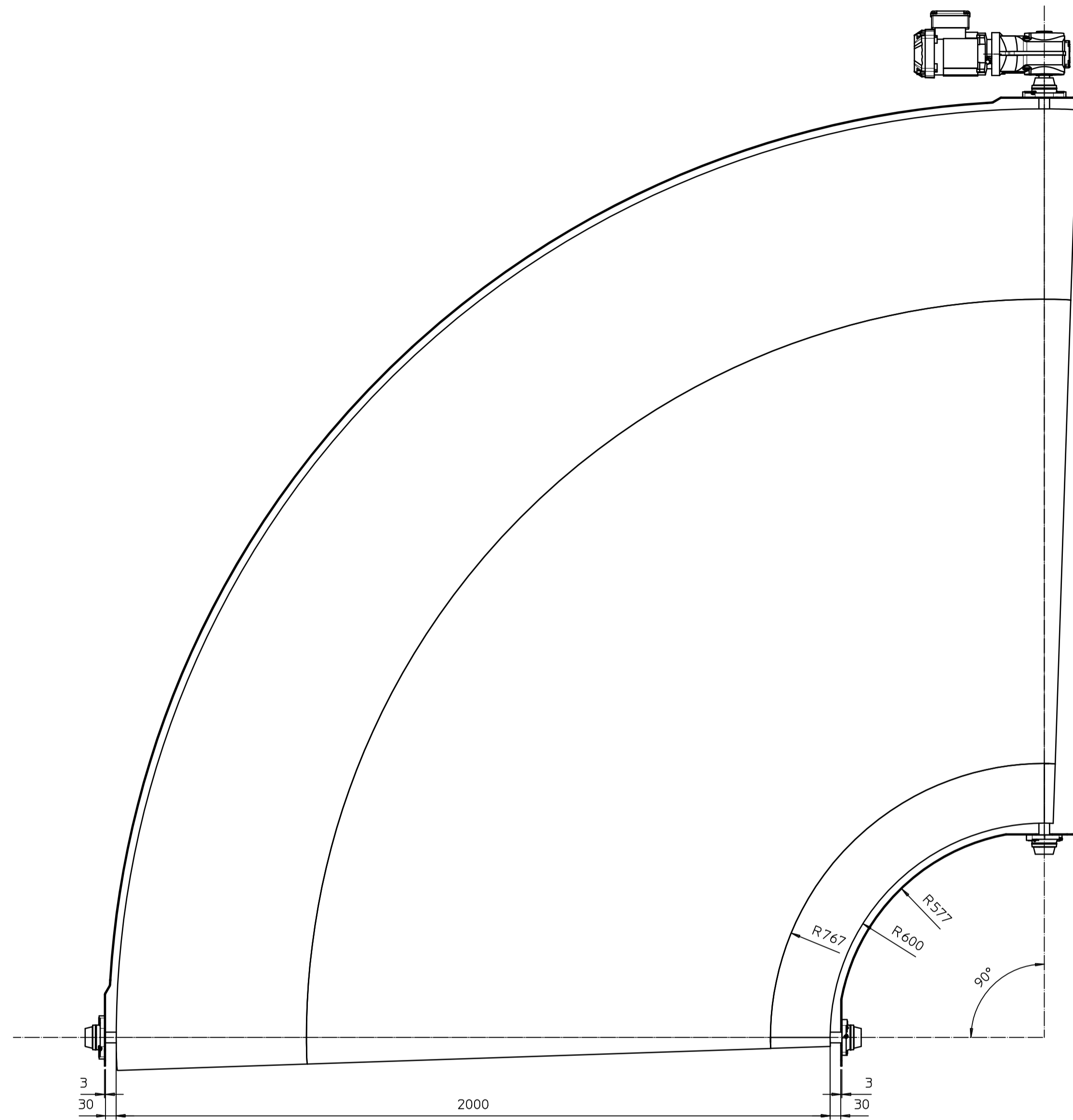

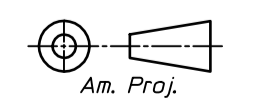


Maattoleranties tenzij anders gespecificeerd:
Tolerances on dimension unless specified:
Tot en met/ Until 2000 mm. ±0,5 mm.
Boven/ Above 2000 mm. ±1 mm.

Hoektoleranties tenzij anders gespecificeerd:
Tolerances on angles unless specified:
±0,5 °



Wijz./Corr.		Datum/Date:		
 <p>Kaak</p> <p><small>All rights are reserved. Reproduction in whole or in part is prohibited without the written consent of the copyright owner.</small></p>	Schaal/Scale: 1:10	Maatv./Dimens. <i>MM</i>	 <p>Am. Proj.</p>	
	Datum/Date: 17-06-2019	Formaat: A1		
	Get./Drawn:	Size:	MM-nr:	Versie/Version: 01
	Benaming/Name: sam MWCU 2000-600-090R		10599118	