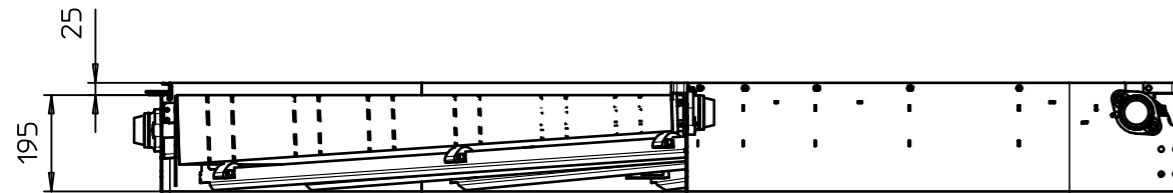
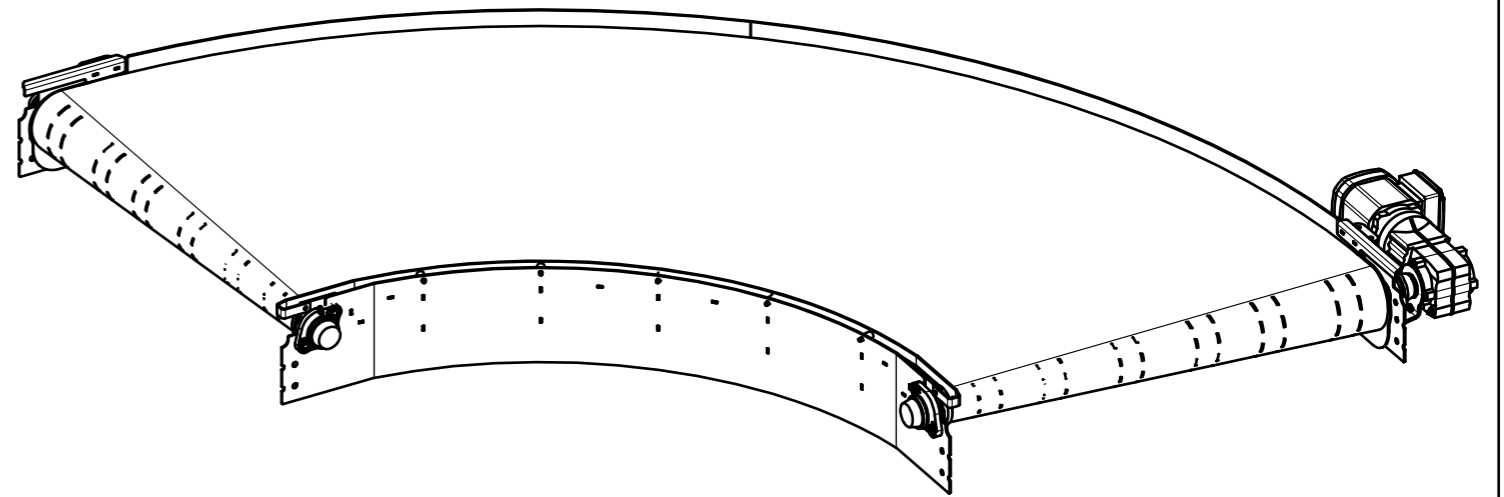
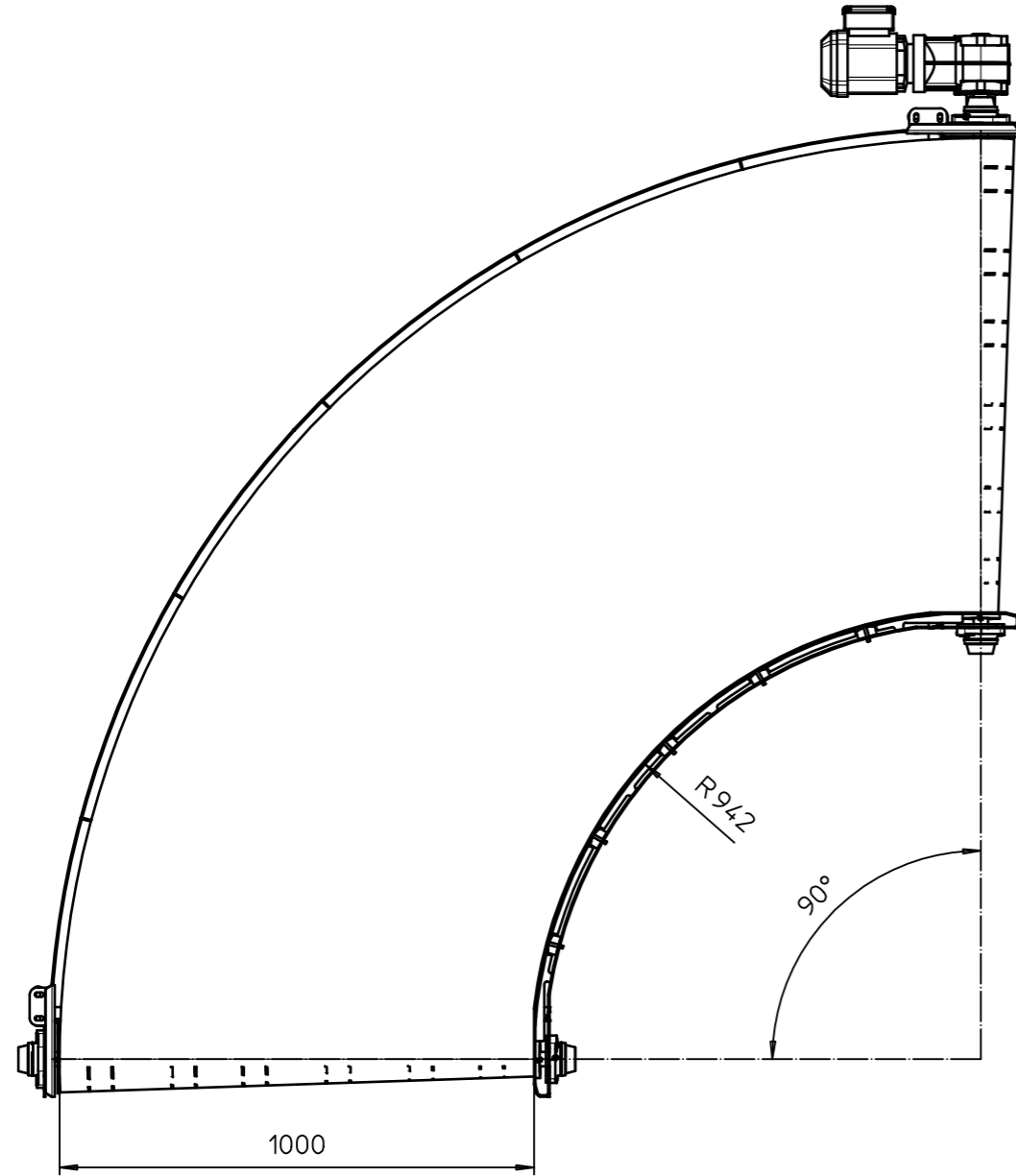


Maattoleranties tenzij anders gespecificeerd:  
 Tolerances on dimension unless specified:  
 Tot en met/ Until 2000 mm. ±0.5 mm.  
 Boven/ Above 2000 mm. ±1 mm.

Hoektoleranties tenzij anders gespecificeerd:  
 Tolerances on angles unless specified:  
 ±0.5 °



Versie/ Version: <i>Wijz./Corr.</i>		Datum/Date:	
Schaal/Scale: 1:15		Maatv./Dimens. <i>MM</i>	
Datum/Date:		Formaat: Size:	
Get./Drawn:		Am. Proj.	
Benaming/Name:		MM-nr:	Versie: Version: <input type="checkbox"/>



All rights are reserved.  
 Reproduction in whole or  
 in part is prohibited without  
 the written consent of the  
 copyright owner.